

## Hydraulic hoses (in acc. with standard)

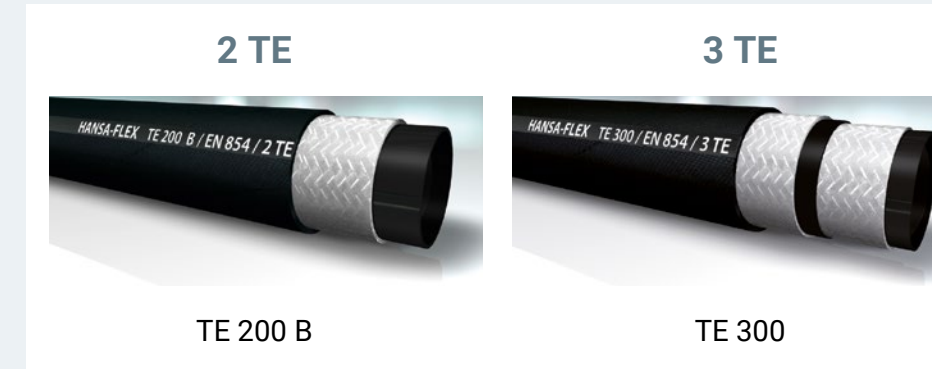
### Braided hoses (PN fittings)



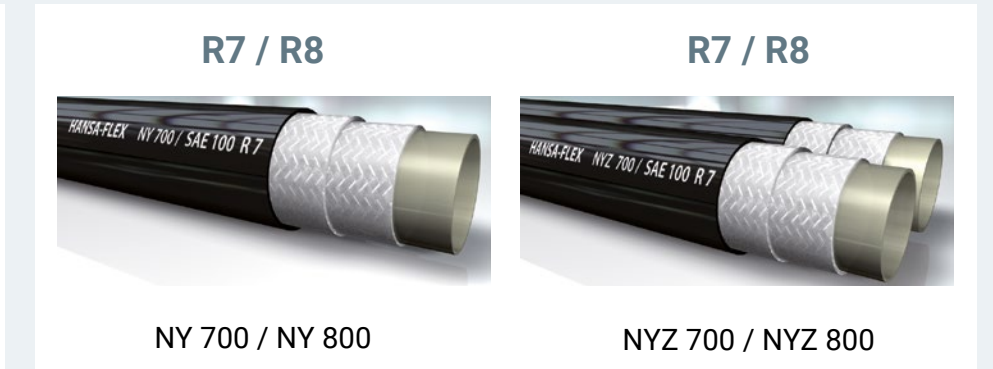
### Spiral hoses (PA fittings, interlock)



### Low pressure hoses



### Thermoplastic high pressure hoses



## Hydraulikschläuche (for special applications)

### Braided hose



### Suction hose



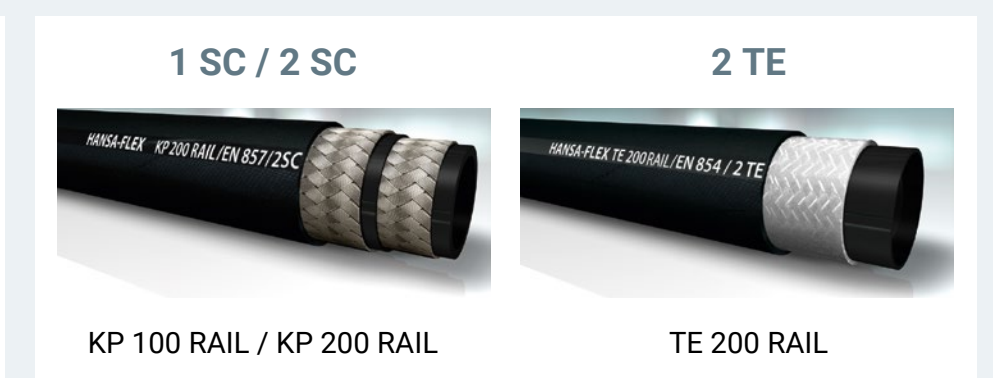
### High thermal resistance



### Thermoplastic high pressure hoses

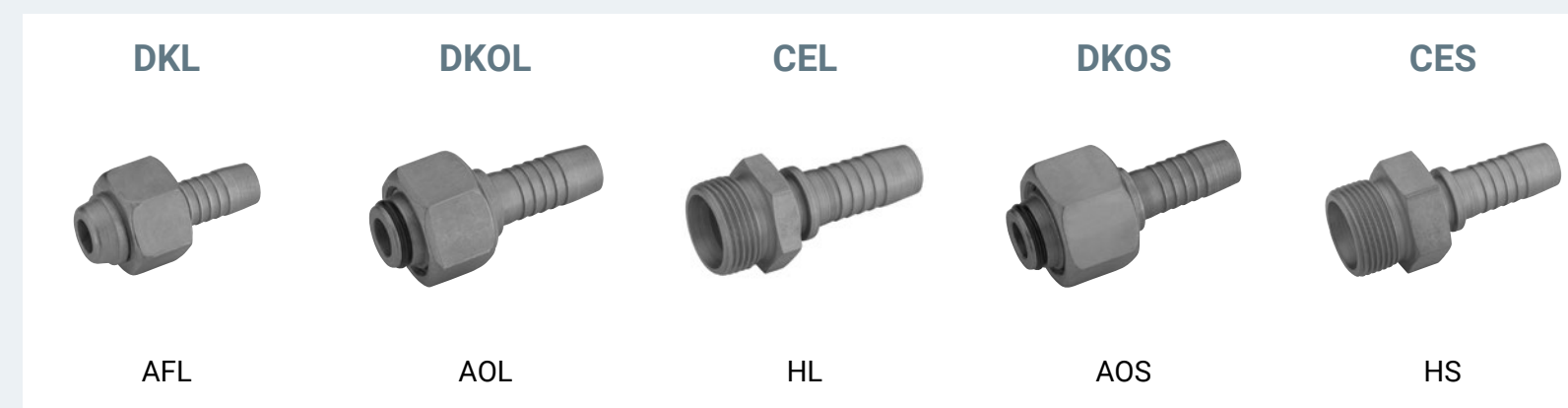


### RAIL-hoses (EN 45545-2)

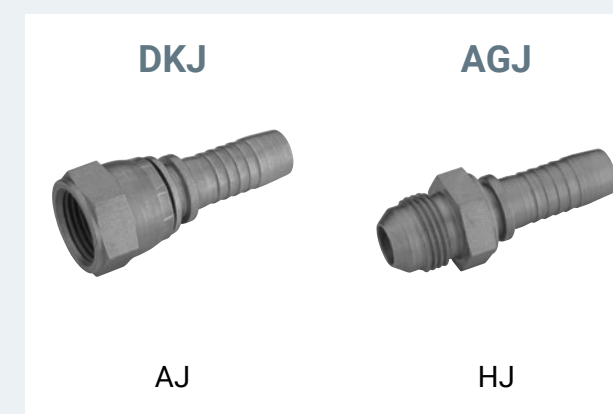


## Hose fittings

### Metric (ISO 8434-1)



### JIC (ISO 8434-2)



## Accessories

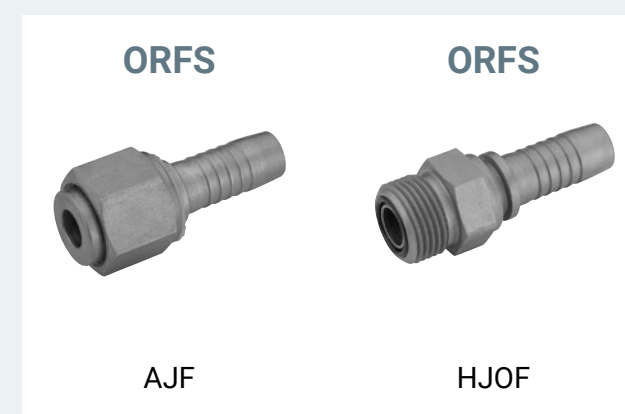
### Heat protection



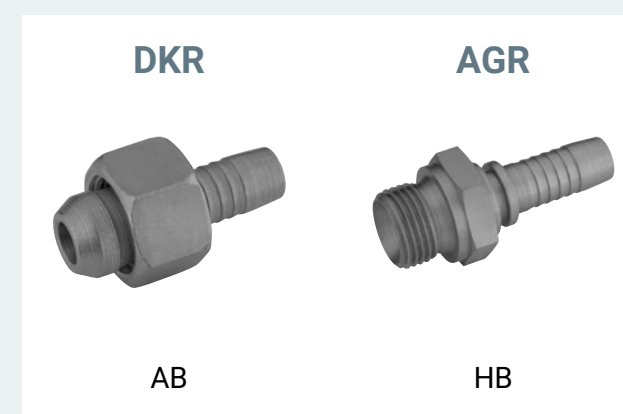
### Hose bundling



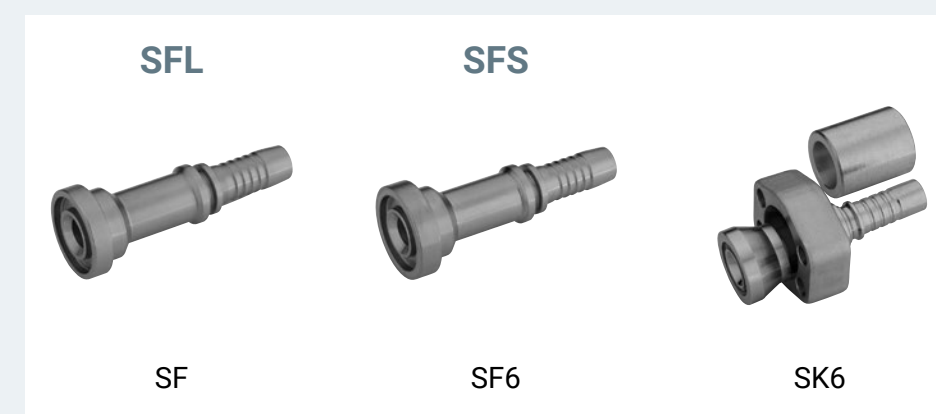
### UN/UNF (ISO 8434-3)



### BSP (ISO 8434-6)



### Flange (SAE J518)



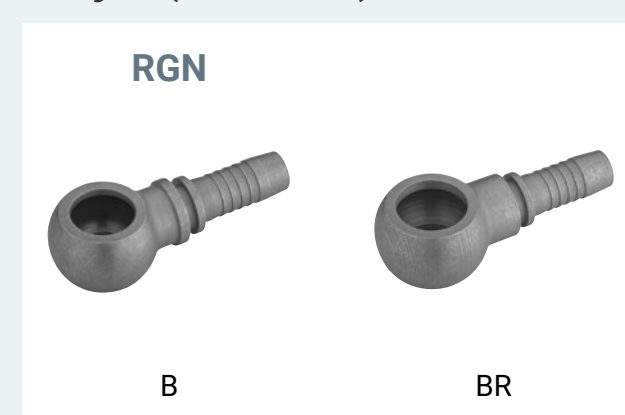
### Abrasion protection



### Antikink protection



### Banjos (DIN 7642)



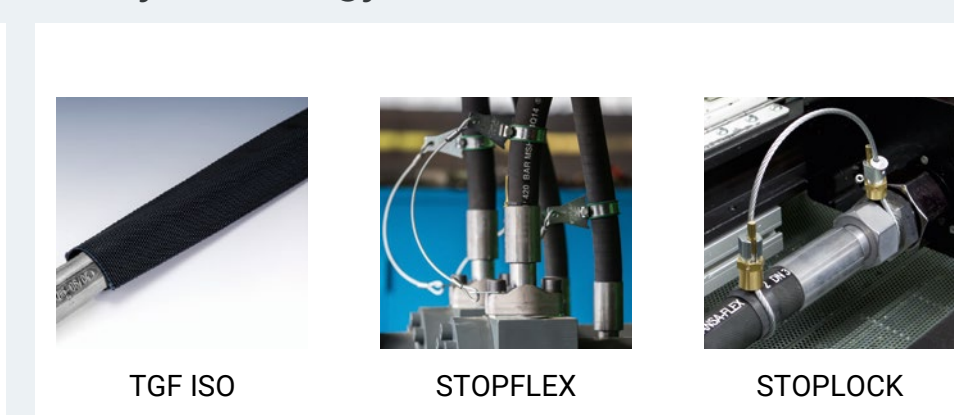
### NPT (SAE J514)



### Push-in clamping shell connections (SSKV)

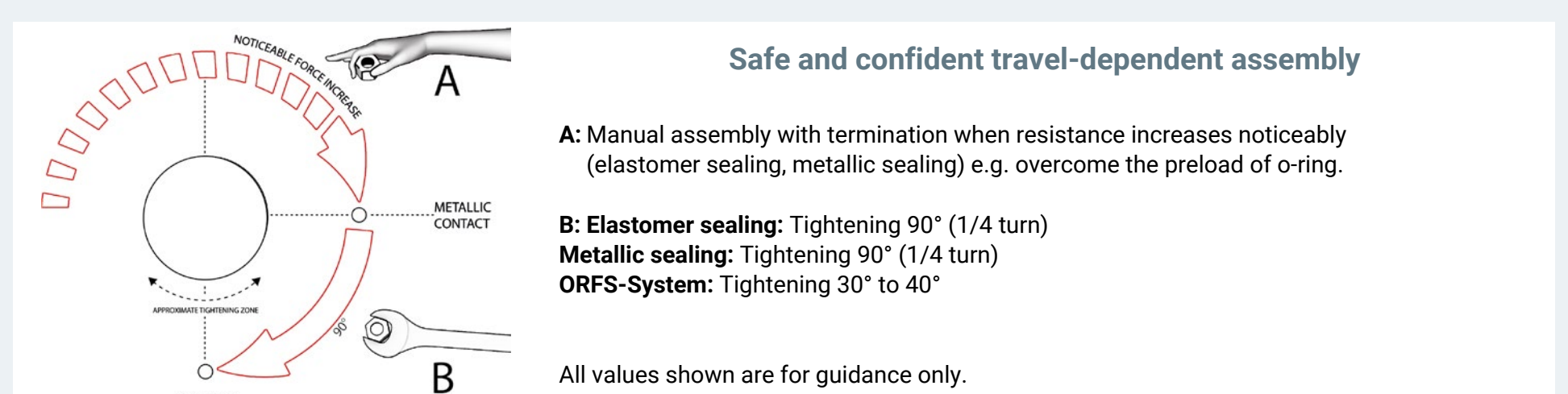
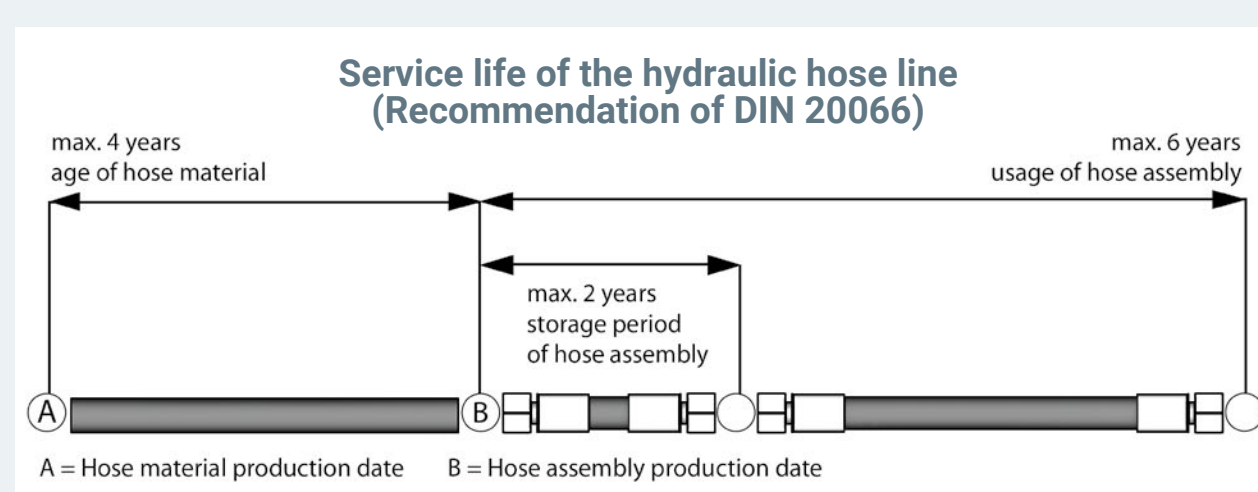
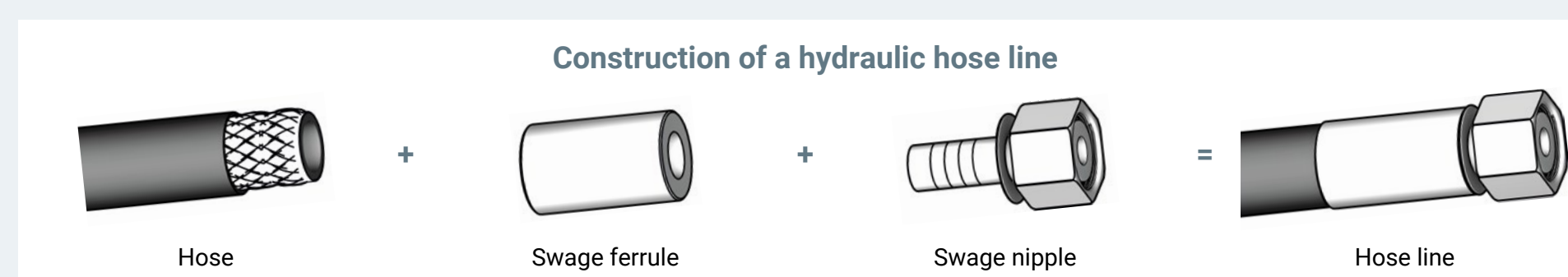


### Safety technology



## Technical Information

Braided hoses (PN fittings)		Spiral hoses (PA fittings)	
Non-skive variant		Skive variant	
Hose NW	03 04 06 08 10 13 16 20 25 32 40 50	03 04 06 08 10 13 16 20 25 32 40 50	Interlock, with pull-out protection
DN	5 6 8 10 12 16 19 25 31 38 51	5 6 8 10 12 16 19 25 31 38 51	
Size	3 4 5 6 8 10 12 16 20 24 32	3 4 5 6 8 10 12 16 20 24 32	
Inches	3/16" 1/4" 5/16" 3/8" 1/2" 5/8" 3/4" 1" 1 1/4" 1 1/2" 2"	3/16" 1/4" 5/16" 3/8" 1/2" 5/8" 3/4" 1" 1 1/4" 1 1/2" 2"	



The products shown here are only an extract from our complete range. Further products can be found at [www.hansa-flex.com/catalogue](http://www.hansa-flex.com/catalogue)